

Vision 16

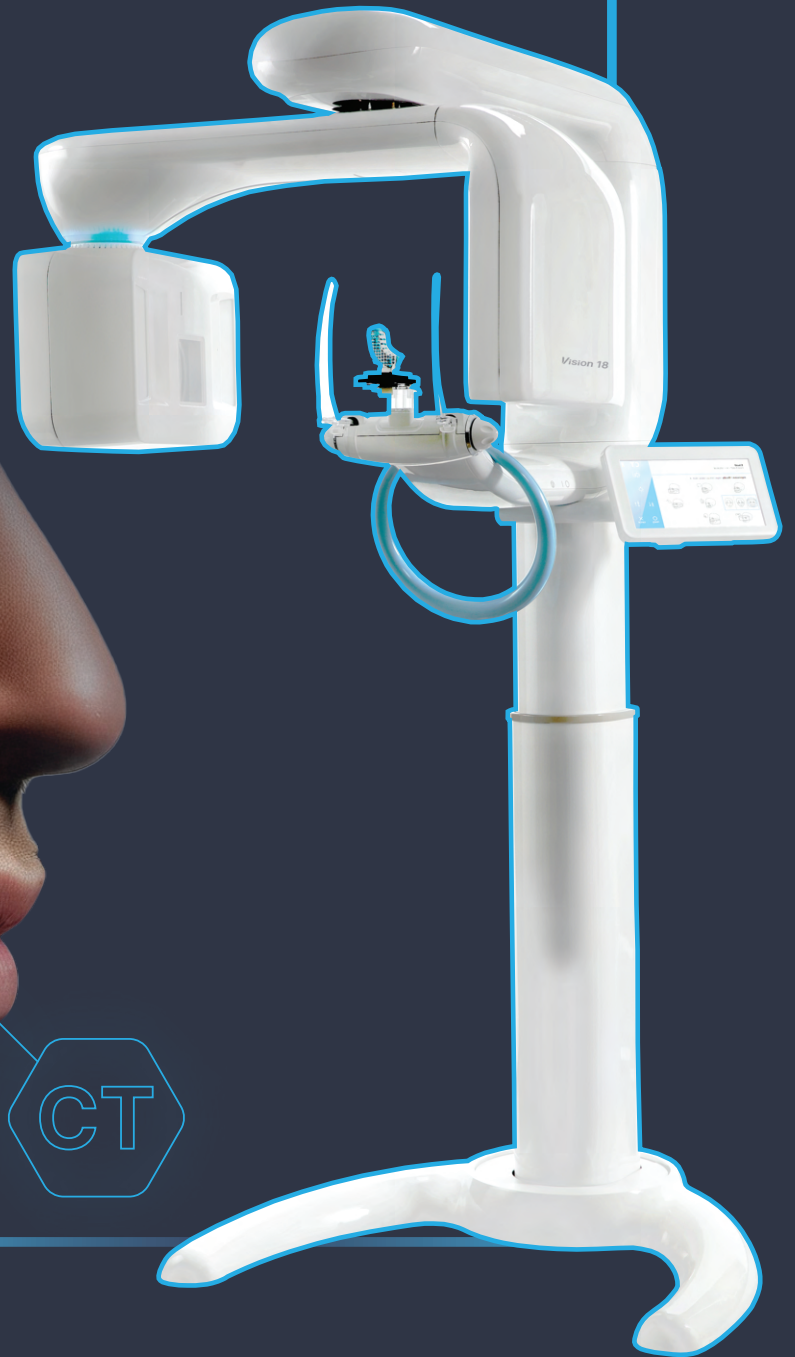
Vision 18

Vision 20

Vision

The All-in-One Solution for Advanced Dental Diagnostics.

Face
Scan



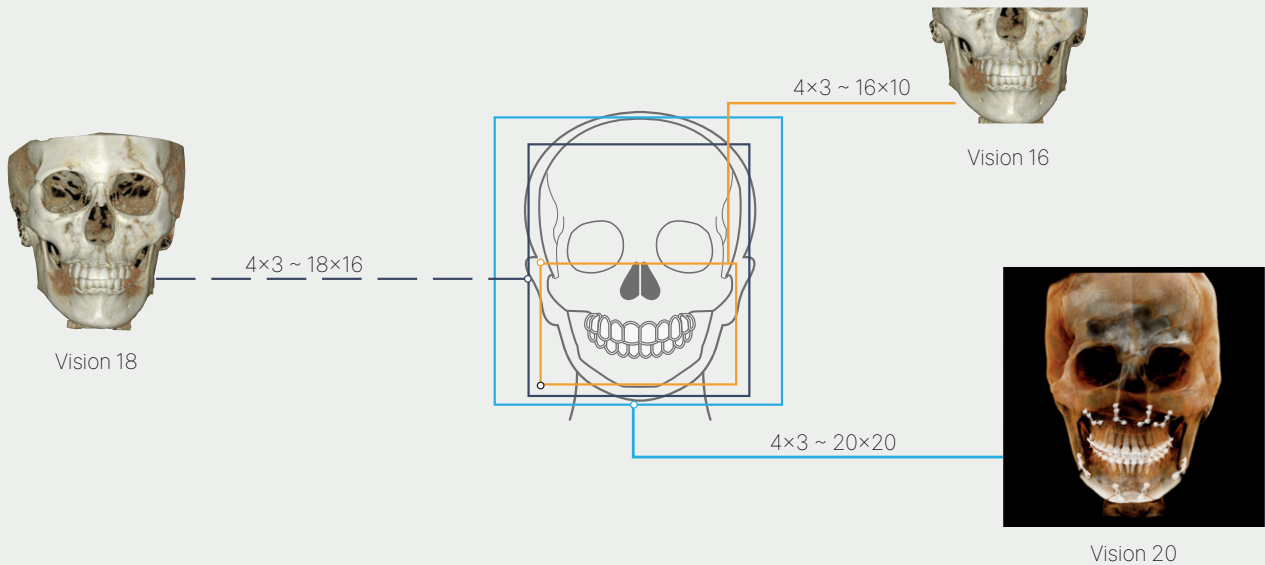
CT



Ray America

Vision

The Vision Series combines advanced CBCT technology with 3D facial scanning to **enhance diagnosis**, improve patient **communication**, and increase **case acceptance**. With versatile volume options, Vision empowers your practice to deliver **precise**, comprehensive care while building **patient trust**.

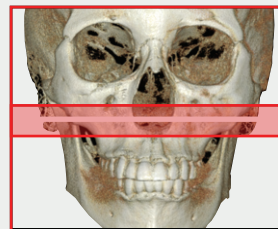


All units have a fully adjustable FOV

Stitch-free Scanning

- Stitch-free scanning on a large FOV CBCT ensures accuracy and reliability.
- Stitching involves scanning patients twice and overlapping both images, which leads to unnecessary exposure to radiation and the potential for image distortion.

Image Distortion



Competitors



Ray America

Double Exposure

Fast Scan & Reconstruction

- Ray America's CBCT lineup is designed with the capability of fast scan modes on all models. With the ability to reconstruct CT images in as little as 2 seconds on select models, patients can experience shorter wait times and receive prompt, efficient treatment.

4.9 sec

Scan Time

22 sec

HD
Reconstruction
Time

2 sec

Fast
Reconstruction
Time

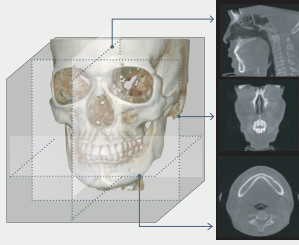
0.5 sec

3D Facial
Scan Time



High Quality Imaging System

- Given the ability to capture large sections of hard and soft tissue regions in one scan, the images created are of the highest quality and provide pertinent clinical details.

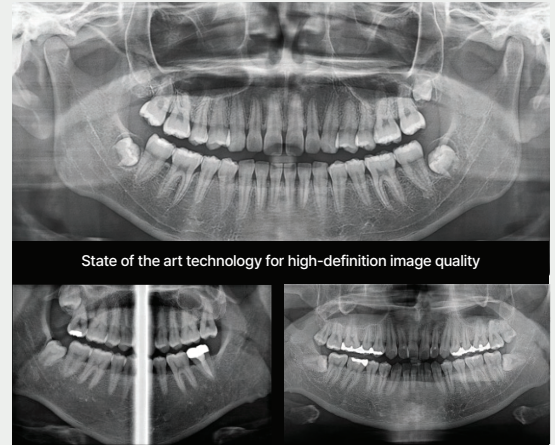


Visible X-ray Guide

- Patented and radiation free visible X-ray guide prominently indicates the location of the scan area, ensuring convenience and safety.

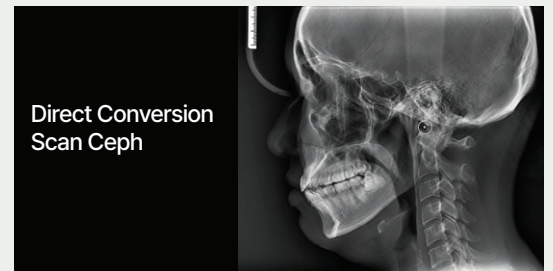


- AMF (Adaptive Moving Focus) technology selects the optimal image layer to provide clear panoramic images, making it easy to identify the patient's periodontal condition and lesions.



Optional Ceph Modality

- The One-Shot Ceph captures images in just 0.8 seconds, minimizing distortion and reducing patient radiation exposure.
- Our direct conversion sensor ensures a high-res Ceph image.



AI Driven Digital Workflow

- Enhance your consultations with advanced 3D soft tissue scanning capabilities, surpassing DICOM-only consultations to provide more precise evaluations and drive higher case acceptance.



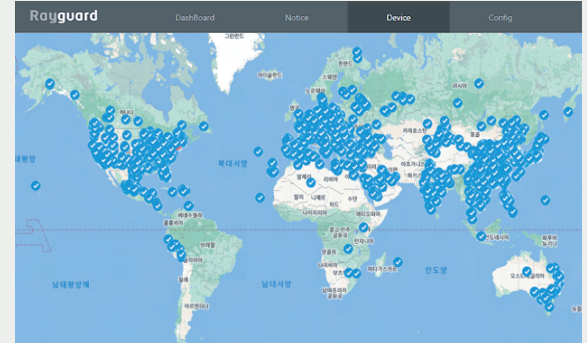
3D Facial Scanning Capabilities

- Our CBCT machine features advanced 3D facial scanning capabilities, capturing high-quality and precise facial data in just half a second. This exceptional speed and accuracy allow for the creation of a detailed virtual patient model, seamlessly integrating with CAD/CAM applications and enhancing diagnostic and treatment planning workflows.



RAYGuard 24/7 Monitoring System

- We monitor all of our installed X-ray units using an advanced IOT system called RAYGuard.
- Our 24/7 monitoring system minimizes the need for multiple visits to resolve the same issue, enabling more efficient resolution.



Wireless Remote for Maximum Convenience

- For patients and healthcare professionals alike, our remote control empowers them with effortless operation, allowing them to focus on what truly matters—the treatment outcome.



10 Year Full Parts Warranty

- The Vision Series comes with a 10-year full parts warranty for added peace of mind!
- 3D Facial Scanner comes with a 2-year full parts warranty.
- Consumables & labor not covered under Vision warranty.



Vision 18

Vision 16

Vision 20



16×10 FOV



18×16 FOV



20×20 FOV

Diagnosis • Implants • Full Arch • Endo • TMJ
• Pre-Screening for OSA

Diagnosis • Implants, • Full Arch • Endo • TMJ • OSA Treatment • Orthognathic Surgery • Zygomatic Implants

Diagnosis • Implants • Full Arch • Endo • TMJ • OSA Treatment • Orthognathic Surgery • Zygomatic Implants • ENT

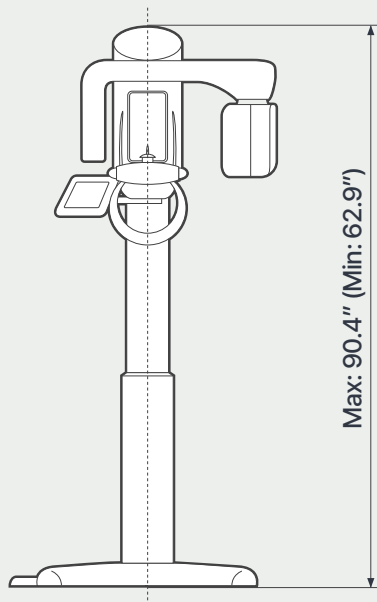
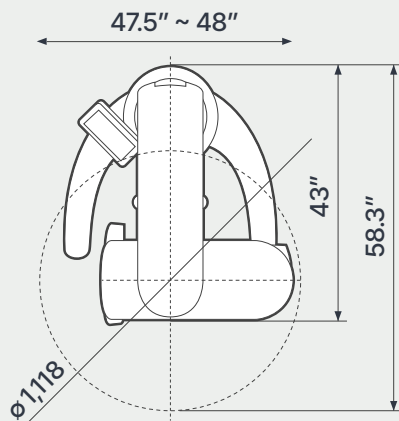
3D CBCT Comparison

	Vision 16	Vision 18	Vision 20
FOV Size	Min 4×3 / Max 16×10	Min 4×3 / Max 18×16	Min 4×3 / Max 20×20
Scan Time	4.9 ~ 14s	4.9 ~ 16s	4.9 ~ 16s
Reconstruction Time	4 ~ 22s	4 ~ 22s	4 ~ 22s
3D Facial Scanning	Yes (Portable)	Yes (Portable)	Yes (Portable)
Blue Light Guide	Yes	Yes	Yes
Low Dose Scan	Yes	Yes	Yes

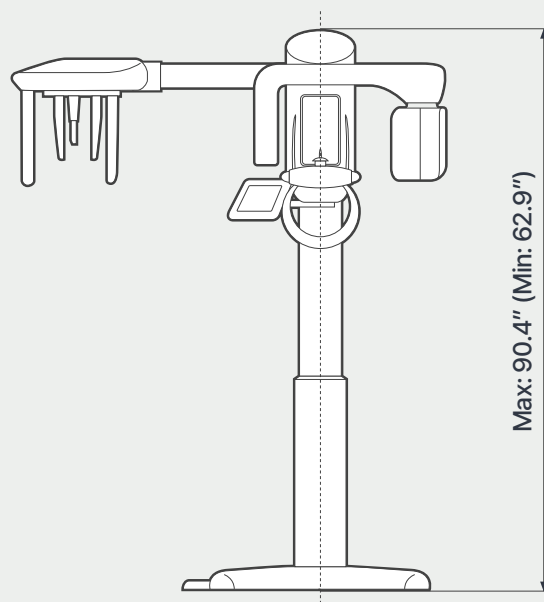
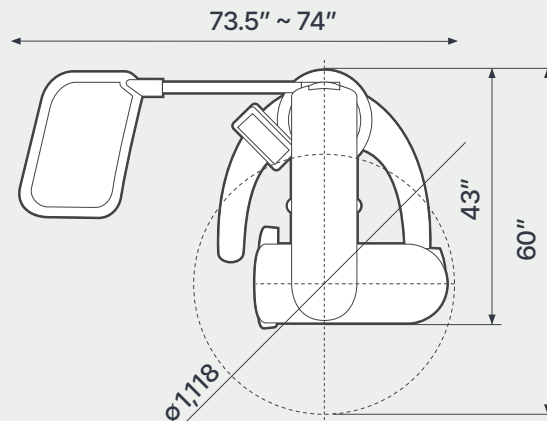
Panoramic	
FMX Cropping	Yes
Scan Time	6.2s ~ 13.9s
Extraoral Bitewing Mode	Yes

Cephalometric	
Available Options	Scan, One-Shot
Scan Time (SC)	3.7 ~ 18.2s
Scan Time (OCS, OCL)	0.2 ~ 0.8s

Without Ceph



With Ceph



Ray America

400 Kelby St, Ste 1500, Fort Lee, NJ 07024
 6131 Orangethrope Ave, Buena Park, CA 90620
 Tel. (800) 976-4586
 Email. info@rayamerica.com | www.rayamerica.com



Pre-Installation
Guide



Contact Us.